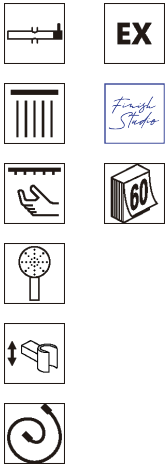


Bathroom Taps



EX

Finish Studio

60



LIGNAGE

Description

Shower column with mixer taps, L1249MM. Upper circular curve shower bar, D300MM shower head, round hand shower including check valve, sliding hand shower holder. With connections of 1/2 "and with a distance of 150±20mm between them. The flow rate at 3 bar is 6,3 l/min of the hand shower and 10,9 l/min of the shower head .

Finish



Gold
100238762

Other Finishes



chrome
100238755

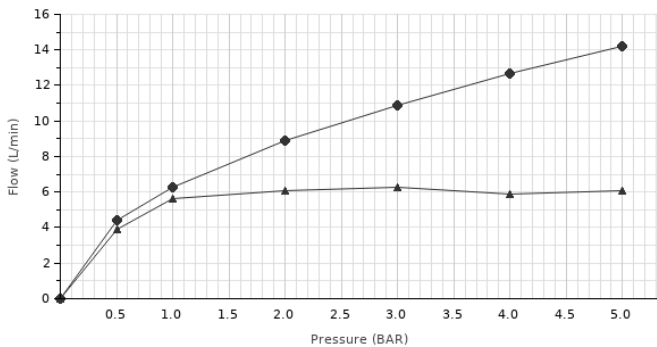


brushed copper
100280345

Flow rate diagramme

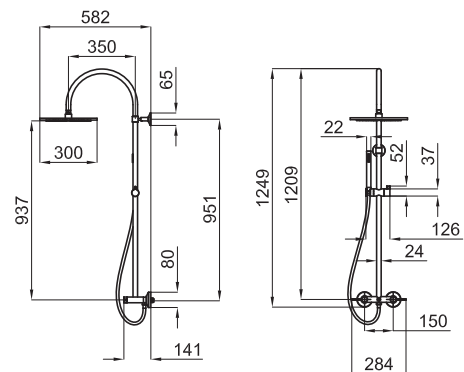
Pressure (bar)	0	0.5	1	2	3	4	5
Flow - Handshower (l/min) (±15%)	0	4.4	6.3	8.9	10.9	12.7	14.2
Flow - Hand-shower (l/min) (±15%)	0	3.9	5.6	6.1	6.3	5.9	6.1

◆ Handshower (l/min) ▲ Hand-shower (l/min)



Technical drawing

Dimensions in mm



noken
PORCELANOSA BATHROOMS

Warranty: For a warranty or other information on this product, visit our Web address: www.noken.com

Legal disclaimer: All details provided by the NOKEN's Product has an information purpose without any contractual value. In order to obtain further information about the materials and their installation please visit our showrooms. NOKEN reserves the right to modify or delete any information on this site. The images and colours shown in this site may differ from the real ones.

© 2023 noken | Edition: 23/02/2023 INT Ref.111037